

ATEX COMPACT SAFETY LED TORCH



WITHOUT COMPROMISE

TR-65 ZONES **0 1 2 21 22** TR-60 ZONES **1 2 21 22**

PRODUCT INFORMATION

The TR-65 (Zones 0, 1, 2, 21 & 22) and TR-60 (1, 2, 21 & 22) are compact, lightweight, right angle LED ATEX torches for use in the most demanding hazardous area workplaces.



LIGHT OUTPUT/DURATION/POWER

- Long life LED light source with 300 lumens emitted (TR-65)/200 lumens (TR-60)
- Duration at different power levels: 7/14/159 hours (TR-65)/Up to 12 hours (TR-60)
- 4 x AA alkaline primary cells
- 3 power modes for different light output (TR-65); single mode (TR-60)
- Balanced spot and fringe optics

CERTIFICATION

- ATEX/IECEx Zone 0/21 (TR-65)/Zone 1/21 (TR-60)
- T4 temperature class
- IP66 and IP67 water and dust tight

FEATURES

- Battery level indicator (TR-65)
- Beam dip for last 15% of battery life (TR-65 and TR-60) for increased safety
- Robust, reliable and proven materials
- Ergonomic design
- Compact and lightweight
- Large switch (easy to use even when wearing gloves)
- Deep discharge protection
- Highly robust, replaceable polymer clip
- Two lanyard fixings - one at each end of the torch
- Easy maintenance, spare parts available
- Flat torch back increases stability

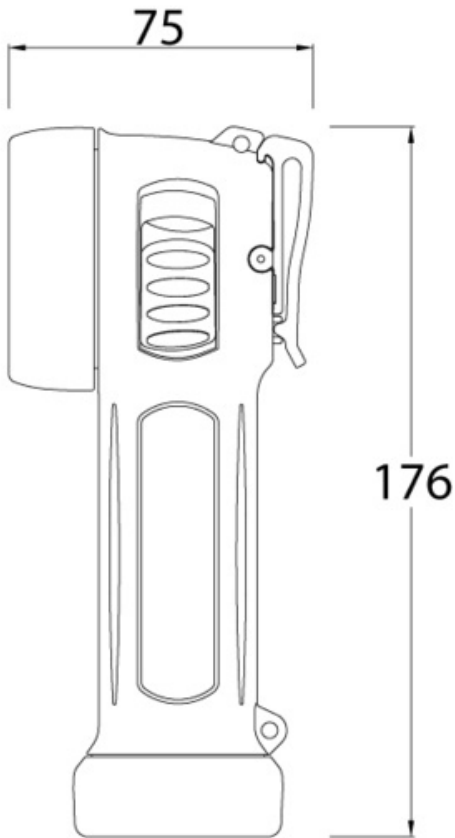
- The TR-65 has an intense spot beam, with a wide angle flood of fringe light



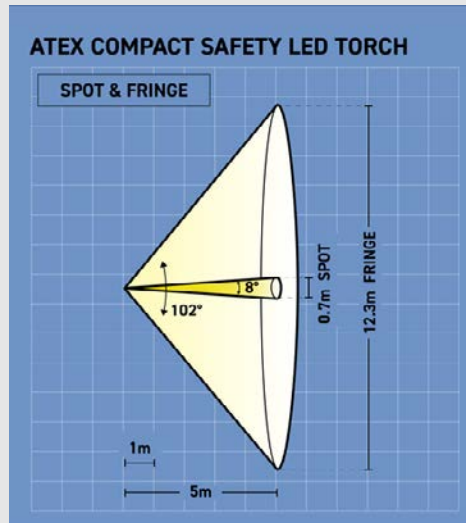
- The flat back on the torch head and robust spring clip keep the torch firmly in place

TECHNICAL INFORMATION

PRODUCT DIMENSIONS



LIGHT OUTPUT DIAGRAM



TR-65: 300 lumens Spot Beam (approx 8°) with extra wide angle flood of fringe light (approx 102°).

Peak luminous intensity, high power at 1m **17,303 lux**, at 5m **692 lux**

Peak luminous intensity, low power at 1m **1,148 lux**, at 5m **46 lux**

TR-60: 200 lumens spot beam (approx 8°) with extra wide angle flood of fringe light (approx 102°).

Peak luminous intensity at 1m **11,525 lux**, at 5m **461 lux**

KEY INFORMATION

PRODUCT CODE	ZONE GAS/DUST	LIGHT OUTPUT (LUMENS)	BATTERY DURATION	POWER SOURCE
TR-60	1/21	200	Up to 12 hours	4 X AA cells (LR6)
TR-65	0/21	300/150/30	Up to 7/14/159 hours	4 X AA cells (LR6)



ATEX COMPACT SAFETY LED TORCH

PRODUCT REFERENCE	TR-60	TR-65	
PRODUCT DESCRIPTION	ATEX Right Angle Zone 1 Compact Safety LED Torch	ATEX Right Angle Zone 0 Compact Safety LED Torch	
CODE	I M2/II 2G Ex ib I Mb/IIC T3/T4 Gb II 2 D Ex ib IIIB T200°C Db	I M1/II 1G Ex ia I Ma/IIC T3/T4 Ga II 2D Ex ib IIIB T200°C Db	
TYPE OF PROTECTION	'ib' intrinsic safety	'ia' intrinsic safety	
AREA OF CLASSIFICATION (GAS)	Zones 1 & 2 Gas Groups IIA, IIB IIC	Zones 0, 1 & 2 Gas Groups IIA, IIB IIC	
TEMPERATURE CLASS (GAS)	T4 + T3 (depending on cells)		
AREA OF CLASSIFICATION (DUST)	Zones 21 & 22 Dust Groups IIIA and IIIB		
MAX. SURFACE TEMP. (DUST)	T200°C		
AMBIENT TEMPERATURE	-30°C to +40°C		
CERTIFICATE	ATEX Baseefa11ATEX0236 IECEx BAS 11.0116		
ENCLOSURE	Impact Resistant Thermoplastic, Chemical Resistant		
BASE + LENS RING	Shock Absorbing Elastomer		
LENS	Polycarbonate	Toughened Glass	
BEAM TYPE	Spot with Fringe		
LIGHT SOURCE	TYPE	High Power LED	
	OUTPUT	200lm	High Power 300lm / Medium Power 150lm / Low Power 30lm
	LIFE	10,000+ hrs	
POWER SOURCE	PART NO.	4 x AA cells (LR6)	
	TYPE	4 x LR6 Primary Cells to IEC 60086	
	VOLTS	4 x 1.5v	
LOW BATTERY INDICATOR	RED LED	No	Yes
	LOW BATTERY BEAM DIP	Yes	
LOW VOLT CUT OFF	Yes		
LIGHT DURATION	Up to 12 hours	Up to 7.0 hrs / 14 hrs / 159 hours	
INGRESS PROTECTION	IP66 + IP67		
WEIGHT (INC. CELLS)	330g		

All information has been gathered under laboratory conditions, the user must regard the values given as approximate. Changes may be made to the above specification without notification, details are available on request.



E-post: lykter@dacon.no

webshop.dacon.no

